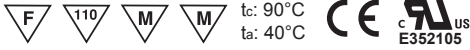


CLM422 2' x 2' OFFICE LIGHT / TROFFER



LED Driver Electrical and Dimming Control Specification



Model : PUND - 32 - 1700 Non-Dimmable

Input Voltage: 90-277VAC 47~63Hz	DC Output: 24-32VDC / Constant Current 1.6A
Input Inrush Current: < 10A / 115VAC, < 20A / 230VAC	Operation Temp: -30°C - +60°C, Tc: 90°C
Power Factor: > 0.92 at Full Load, 115VAC, 230VAC	Storage Temp: -40°C - +85°C
Current Crest Factor (Ipk): 1A Max	Safety Meet: UL1310 Class 2, CE, RoHS Compliant
Total Harmonic Distortion: 15% Max	Meet: EN55015, EN61547, EN61347-2-13, EN6100-3-2,
Efficiency: TYP 88%	EN61000-3-3, FCC Class B
Protection OCP, SCP, OVP - Auto Recovery	Surge Protection: 4KVAC / 3 seconds

NOTE: All Values Have $\pm 7\%$ Tolerance

Wiring Information

- AC LINE - BLACK
- AC NEUTRAL - WHITE

NOTE: • Ensure that all line voltage wire is intended for specified product wattage.
• Use UL and/or CE approved wires for all input connections, minimum size required 18 AWG (0.82mm²)

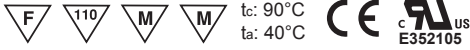
WARNING

RISK OF ELECTRIC SHOCK

- Installation must be done by a certified electrician and / or qualified personnel.
- Make sure to turn OFF the main power from the circuit breaker or fuse box before installing, servicing or inspecting this luminaire.
- Make sure all grounding wires are connected correctly.

CLM422 2' x 2' OFFICE LIGHT / TROFFER

LED Driver Electrical and Dimming Control Specification



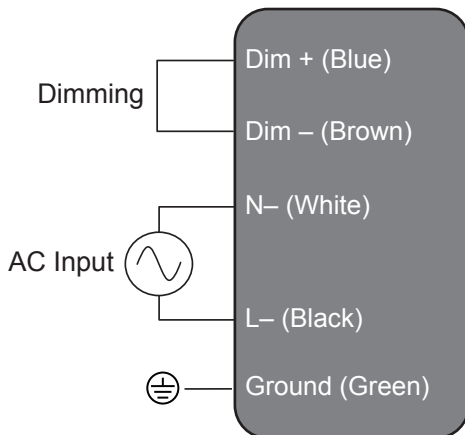
Model : PUDM - 32 - 1700 Dimmable

Input Voltage: 90-277VAC 47~63Hz	DC Output: 24-32VDC / Constant Current 1.6A
Input Inrush Current: < 10A / 115VAC, < 20A / 230VAC	Operation Temp: -30°C - +60°C, Tc: 90°C
Power Factor: > 0.92 at Full Load, 115VAC, 230VAC	Storage Temp: -40°C - +85°C
Current Crest Factor (Ipk): 1A Max	Safety Meet: UL1310 Class 2, CE, RoHS Compliant
Total Harmonic Distortion: 15% Max	Meet: EN55015, EN61547, EN61347-2-13, EN6100-3-2,
Efficiency: TYP 88%	EN61000-3-3, FCC Class B
Protection OCP, SCP, OVP - Auto Recovery	Surge Protection: 4KVAC / 3 seconds

0-10V Dimming Control

NOTE: All Values Have ±7% Tolerance

Wiring & Application Diagram



- NOTE:**
- Ensure that all line voltage wire is intended for specified product wattage.
 - Use UL and / or CE approved wires for all input connections, minimum size required 18 AWG (0.82mm²)
 - Refer to the specific dimmer installation manual for exact wiring instructions.

WARNING

RISK OF ELECTRIC SHOCK

- Installation must be done by a certified electrician and / or qualified personnel.
- Make sure to turn OFF the main power from the circuit breaker or fuse box before installing, servicing or inspecting this luminaire.
- Make sure all grounding wires are connected correctly.

CLM422 2' x 2' OFFICE LIGHT / TROFFER

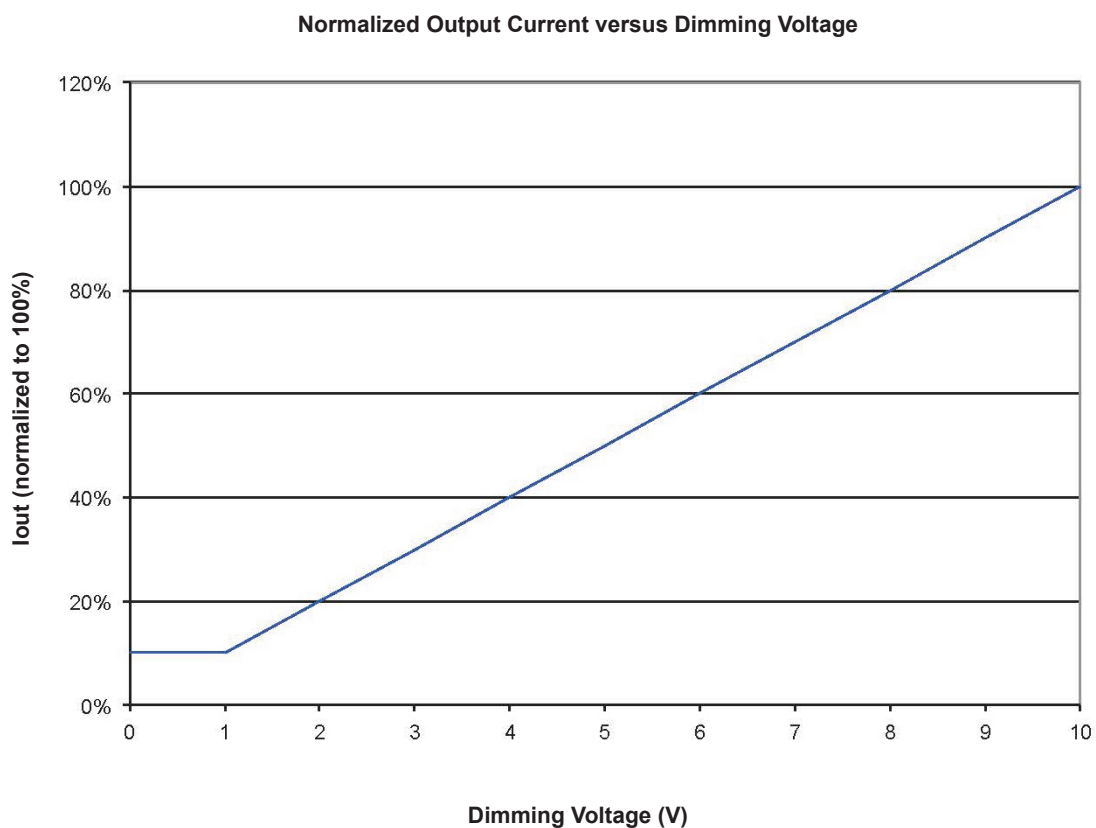


LED Driver Electrical and Dimming Control Specification

Output Dimming Control

The method to dim the output current of the driver is done via the +Dim/-Dim Signal pins. The +Dim/-Dim Signal pins respond to a 1 to 10 V signal, delivering 10% to 100% of the output current based on rated current for each model. A pull-up resistor is included internal to the driver. When the +Dim input is <1 V or short circuited to the -Dim wire (grey) or to the -LED wire (black), the output current is programmed to 10% of rated current. If the +Dim input is >10V or open circuited, the output current shall be programmed to 100% of rated current. The maximum current supplied by the +Dim Signal pin is < 600 μ A.

The following graph shows the relationship of the output current to the dimming input voltage.



Made in Taiwan
Designed and Engineered in the USA