

# RWL3525 Series LED Street Lighting




LED Driver Electrical and Dimming Control Specification 35-100Watt

## Type II / F5 Type V Frosted / Type V Rectangular & B2 Billboard



### Input Specification

	Units	Minimum	Typical	Maximum	Notes
Input Voltage Range	VAC	90	120/277	305	
	VDC	127		300	
Input Frequency Range	Hz		60		
Power Factor (PF)		57	> 0.9	63	At full load and nominal input voltage
Inrush Current	A	0.9		50 A peak	At any point on the sine wave and 25 °C
Leakage Current	µA			250 µA @ 120 VAC 600 µA @ 277 VAC	Measured per IEC60950-1
Input Harmonics	Complies with IEC6100-3-2 for Class C equipment				
Total Harmonics Distortion (THD)				20%	<ul style="list-style-type: none"> <li>At nominal input voltage and nominal LED load</li> <li>Complies with DLC (DesignLight Consortium) technical requirements v1.7</li> </ul>
Efficiency		-	90%	-	At nominal input voltage
Isolation	Meets UL60950-1 for class II reinforced/double insulation power supply 				

# RWL3525 Series LED Street Lighting



## LED Driver Electrical and Dimming Control Specification 35-100Watt

### EMC Compliance and Safety Approvals

EMC Compliance			
<b>Conducted and Radiated EMI</b>		FCC CFR Title 47 Part 15 Class B and EN55022 (CISPR 22) Class B compliant	
<b>Harmonic Current Emissions</b>		IEC61000-3-2	For Class C equipment
<b>Voltage Fluctuations &amp; Flicker</b>		IEC61000-3-3	
<b>Immunity Compliance</b>	<b>ESD (Electrostatic Discharge)</b>	IEC61000-4-2	8 kV contact discharge, 8 kV air discharge, level 4
	<b>RF Electromagnetic Field Susceptibility</b>	IEC61000-4-3	3V/m, 80 - 1000 MHz, 80% modulated at distance of 3 meters
	<b>Electrical Fast Transient</b>	IEC61000-4-4	± 2kV on AC power port for 1 minute, ±1kV on signal/control lines
	<b>Surge</b>	IEC61000-4-5	20kV / 10kA (L - L, L-G) Meets ANSI C136.2 and IEEE C62.41.2 Category C
	<b>Conducted RF Disturbances</b>	IEC61000-4-6	3V, 0.15-80MHz, 80% modulated
<b>Transient Protection</b>	<b>Voltage Dips</b>	IEC61000-4-11	>95% dip, 0.5 period; 30% dip, 25 periods; 95% reduction, 250 periods
	<b>Ring Wave</b>		ANSI/IEEE c62.41.1-2002 & c62.41.2-2002 category A, 2.5 kV ring wave

Safety Agency Approvals			
<b>UL</b>	UL60950-1 recognized	UL8750 recognized	Approved for damp locations
<b>cUL</b>	CSA C22.2 60950-1		
<b>CE</b>	EN61347-2-13 electronic control gear for LED Modules		

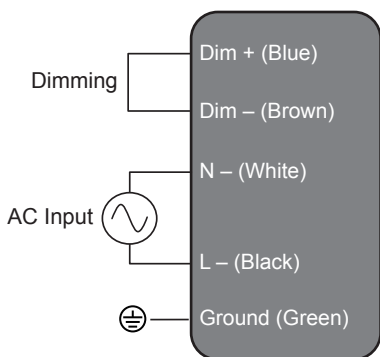
Safety					
	Units	Minimum	Typical	Maximum	Notes
<b>Hi Pot (High Potential)</b>	VDC	4242			Insulation between the input (AC line and Neutral) and the output

# RWL3525 Series LED Street Lighting

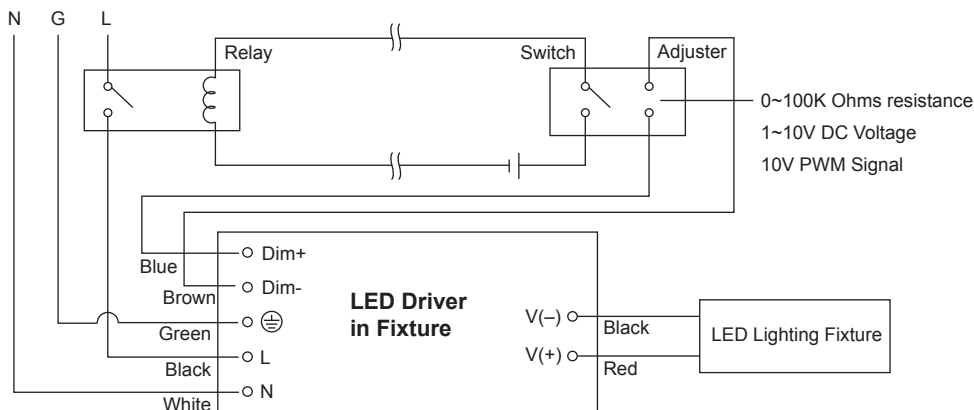


LED Driver Electrical and Dimming Control Specification 35-100Watt

## Dimming connection diagram for turning the lighting fixture ON/OFF :



### Input Wires



Using a switch and relay can turn ON/OFF the lighting fixture.

1. Output constant current level can be adjusted through output cable by connecting a or 1~10Vdc or 10V PWM signal resistance between Dim+ and Dim-.
2. The LED lighting fixture can be turned ON/OFF by the switch.

Made in Taiwan  
Designed and Engineered in the USA